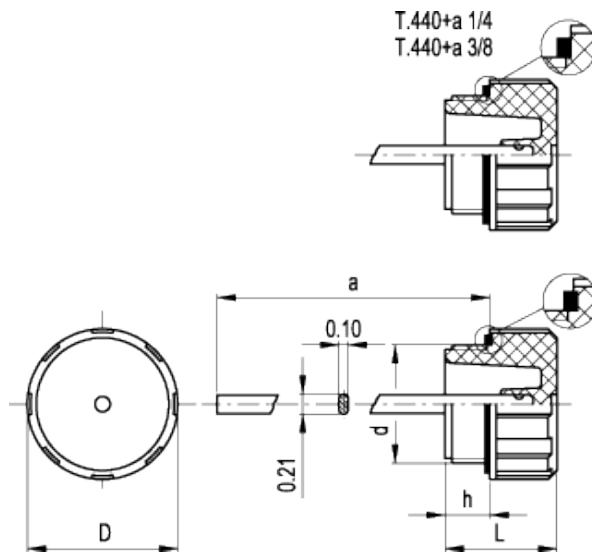


T.440+a

Plugs with flat dipstick



ELESA Original design



technical informations

Material

Polyamide based (PA) technopolymer. Resistant to solvents, oils, greases and other chemical agents.

Colour

Black, matte finish.

Flat packing ring

NBR synthetic rubber.

Flat dipstick

Phosphatised steel. On request and for sufficient quantities dipstick can be supplied in different lengths and/or complete with MAX-MIN level lines.

Maximum continuous working temperature

100°C.

Special executions on request (For sufficient quantities)

Coloured words, marks and graphic symbols can be tampoprinted on the cap.

Standard Elements		Main dimensions					Weight
Code	Description	d	h	D	L	a	g
157211	T.440-1/4+a	G 1/4	9	20.5	19	192	30
157221	T.440-3/8+a	G 3/8	9	25	21	192	32
157231	T.440-1/2+a	G 1/2	11	28.5	25	189	42
157241	T.440-3/4+a	G 3/4	12	34.5	27	188	50
157251	T.440-1+a	G 1	13	42.5	28.5	188	56
157261	T.440-1¼+a	G 1¼	13	52	32	185	72
157271	T.440-1½+a	G 1½	13	57.5	34	185	83



ELESA and GANTER models all rights reserved in accordance with the law. Always mention the source when reproducing our drawings.

STANDARD MACHINE ELEMENTS WORLDWIDE